

INTRODUCING...

THE STRONGEST STRUT BRACKET IN THE MARKET!

35% Stronger!

NEW

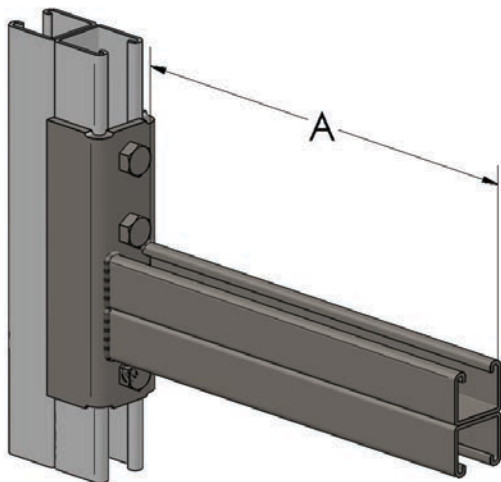


PS 820



Power-Strut is proud to introduce the highest capacity cantilevered strut bracket in the market. The Power-Strut PS 820 is designed to hold heavier loads, increase the span between supports, and allow attachment on top and bottom. This results in significant material and labor cost savings.

For more information, visit Power-Strut.com or contact your local sales rep.



FEATURES AND BENEFITS

- 35% stronger than competitive products!
- Uses a 3-bolt attachment and a U-shaped base plate for added strength
- Double-sided channel allows attachment on top and bottom
- Made in America
- Patent Pending

Part Number	Dim. "A" (in.)	Uniform Design Load* (lbs)
PS 820-12	12"	2,700
PS 820-18	18"	1,800
PS 820-24	24"	1,350
PS 820-30	30"	1,080
PS 820-36	36"	900

*Safety Factor = 2.5 when mounted to 12 ga. Power-Strut channel